

OP GUN METAL satin

Mixer Taps

Code: 8499 106



DETAILS

Mixer type Single-lever mixer tap with rotating, collapsible barrel (Up&Down), with remote control.

Coloring Gun Metal

Material Brass

Texture Satin

Rotating angle 360°

Strengthening plate Ø44 mm

Cartridge With ceramic discs

Holes distance See "Cut out drawing"

Double hole requested Necessary

Mixer hole \varnothing 35mm

Max worktop thickness 40 mm

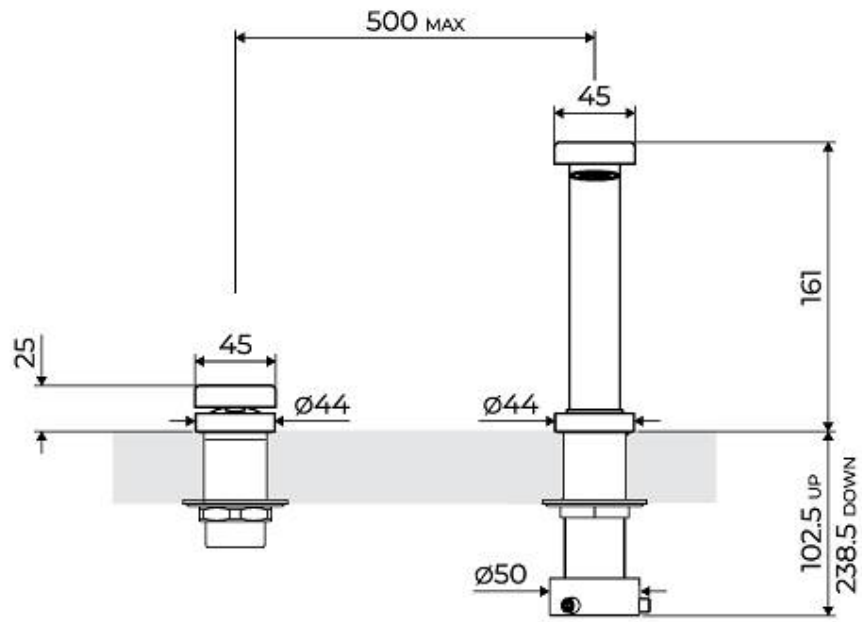
FEATURES

COLLAPSIBILE BARREL Feature that makes it possible to foresee the sink in front of a window, so as to enjoy the natural light.

Rotating angle All the taps have a wide angle of rotation. Some models even permit a full 360° rotation.

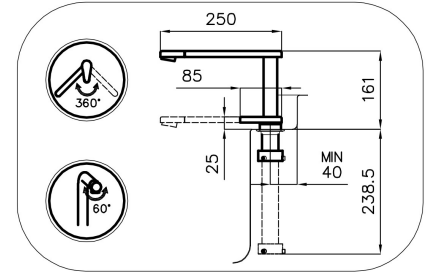
Strengthening plate Foster's mixer taps are equipped with the strengthening plate that offers perfect stability on any sink.

TECHNICAL DATA

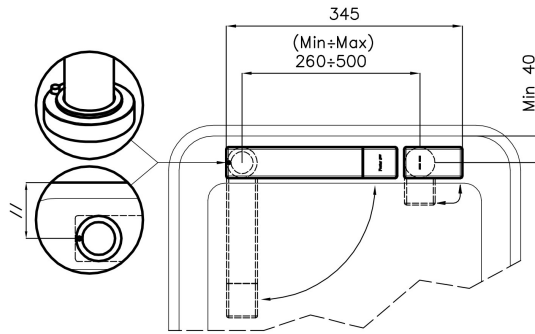


Eclipse - 8499 000

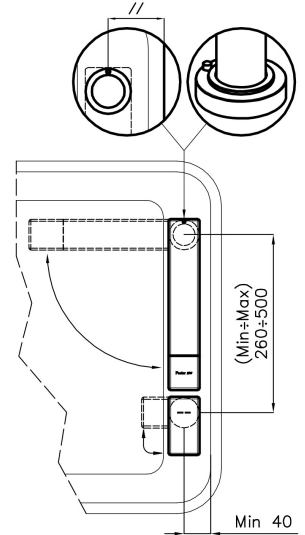
Installation sheet - Foglio installazione



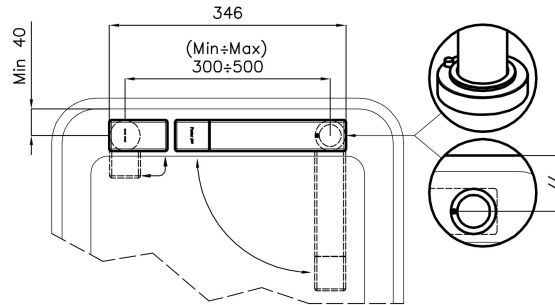
Front side—Mixer tap on the left
 Lato frontale—Miscelatore a sinistra



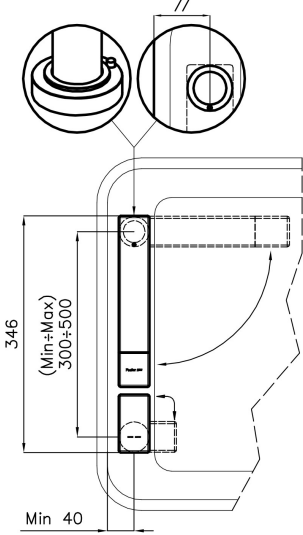
Right side
 Lato destro



Front side—Mixer tap on the right
 Lato frontale—Miscelatore a destra



Left side
 Lato sinistro



GALLERY

